



Pneumatic Pallet Expander – Euro



Technical Specification

Air Connection	1/4" BSP
Operating Pressure	1 to 8 bar
Weight	2.65 Kgs
Part Number	PS2



Pressure Vs. Expanding Force

1 Bar	=	365	Newtons
2 Bar	=	530	Newtons
3 Bar	=	895	Newtons
4 Bar	=	1260	Newtons
5 Bar	=	1625	Newtons
6 Bar	=	1990	Newtons
7 Bar	=	2355	Newtons
8 Bar	=	2720	Newtons

Cengar Ltd. Springfield Works, Saddleworth Rd. Greetland Halifax HX4 8LZ, U.K.
 Tel: +44 (0)1422 377904 Fax: +44 (0)1422 377161

www.cengar.com Email: enquiries@cengar.com



PS2 Pallet Spreader

Operators instructions

To ensure maximum life and reliability always use Clean Dry air

Always use on supply lubricated with air tool oil

Only use genuine spare parts during repair & maintenance

Regularly clean filters to prevent contamination & damage

Instructions

Insert the spreader fully into the gap between top & bottom board, with the board restraint covering the top board. Never use partially inserted - the board to be lifted must be in the centre of the platen with the Pallet spreader as close to block as possible.

Switch on the air supply by pushing the valve across (item PS2/5) keeping fingers away from the platen.

Once the board is under strain, a gap should be present allowing insertion of saw blade.

Once nails have been cut, switch off air supply, remove, and repeat at the next block position.

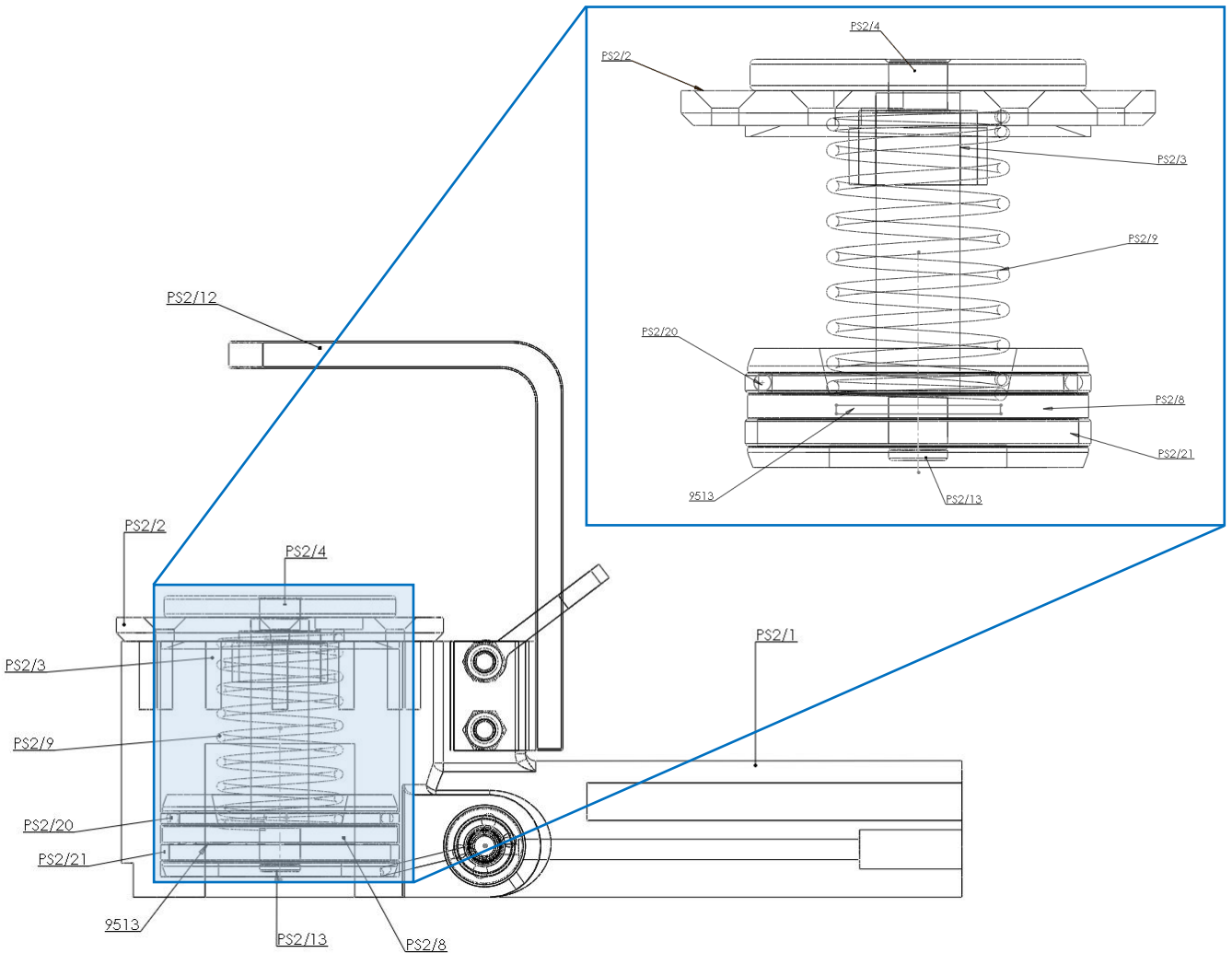
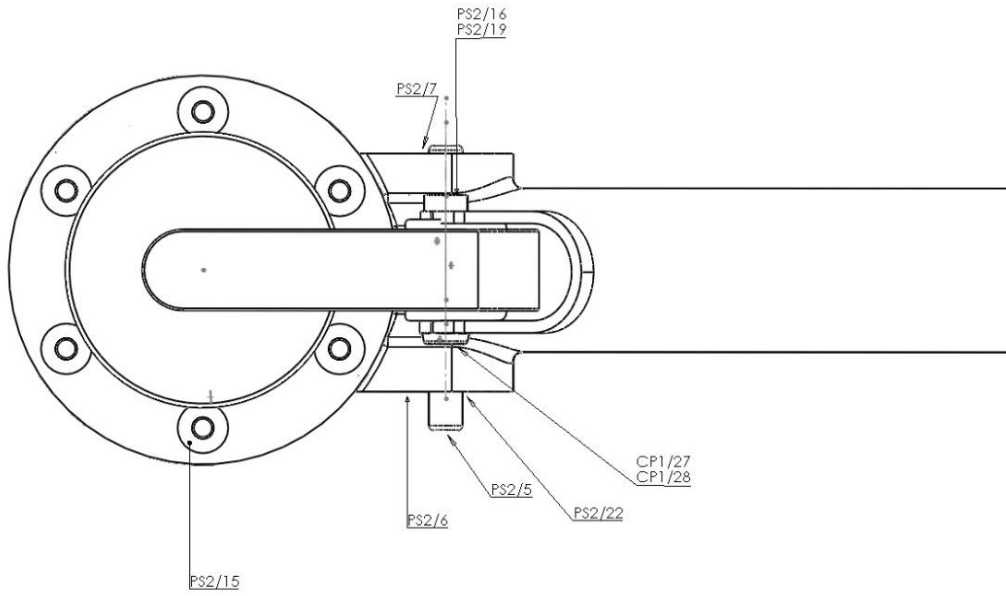
Instructional video available at www.Cengar.com

Disconnect from the air supply after use, and before maintenance

Never use the device as anything other than a pallet board spreader

Boards may be pushed off at high speed! Always keep clear of top board

Always wear Eye protection



Cengar Ltd. Springfield Works, Saddleworth Rd. Greetland Halifax HX4 8LZ, U.K.
Tel: +44 (0)1422 377904 Fax: +44 (0)1422 377161

www.cengar.com Email: enquiries@cengar.com



Spare Parts List

PS2 Pallet Spreader

Part Number	Qty	Description	Comments
PS2/1	1	Body Complete	
PS2/2	1	Top Plate	
PS2/3	1	Bush	
PS2/4	1	Platten Assembly	
PS2/5	1	Spool	
PS2/6	1	End Cap Left	
PS2/7	1	End Cap Right	
PS2/8	1	Piston	
PS2/9	1	Return Spring	
PS2/12	1	Board retainer	
PS2/13	1	Circlip (piston retaining)	
PS2/15	6	Countersunk Screw	
PS2/16	1	Cap Screw	
CP1/27	2	Board retainer Washer	
CP1/28	2	Board retainer Lock nut	
PS2/17	1	Filter	
PS2/18	1	Lifting bracket	
PS2/19	1	Cap Screw	
PS2/20	1	Piston Seal	
PS2/21	1	Guide Ring	
PS2/22	3	Quad Ring	
9513	1	Spring Pin	