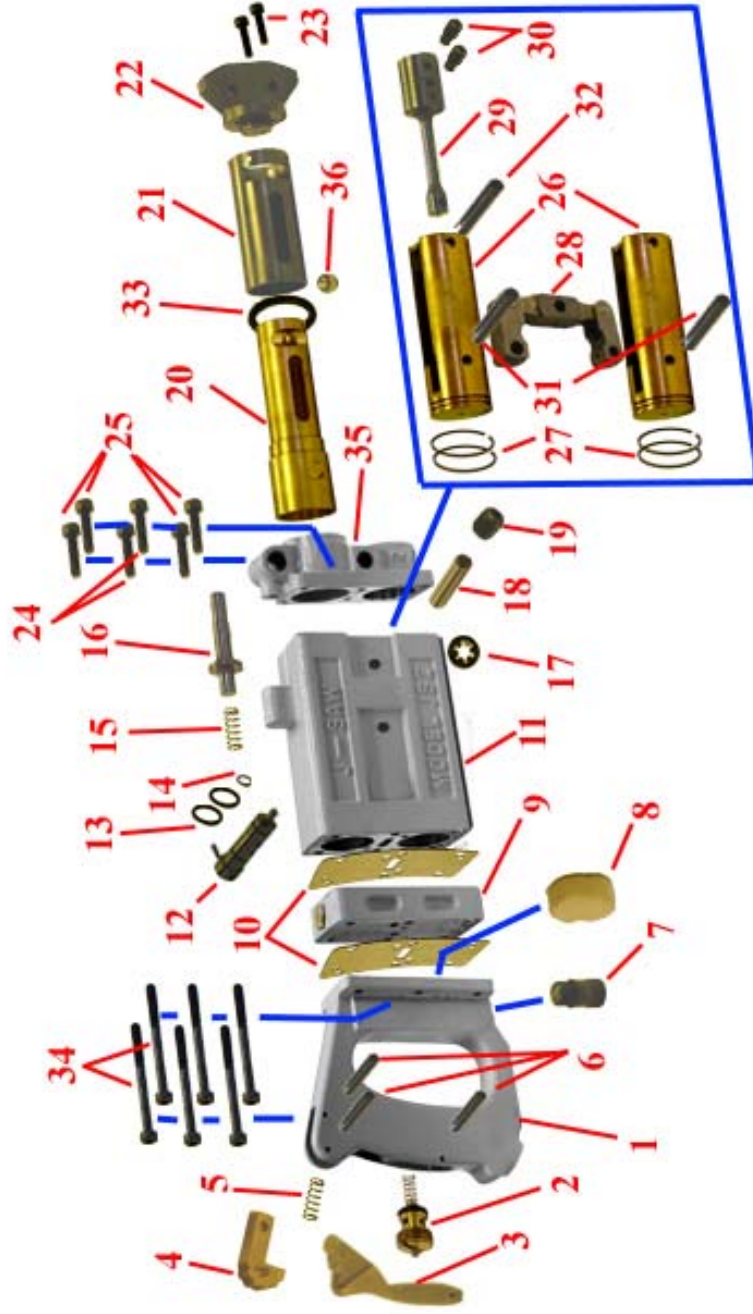


JSM Exploded View



| Item | Part No. | Description | Quantity | Material | Remarks |
|------|----------|--------------------------|----------|----------|---------|
| | 1 | Handle | 1 | Aluminum | |
| | 2 | Trigger | 1 | Steel | |
| | 3 | Trigger Spring | 1 | Steel | |
| | 4 | Trigger Guard | 1 | Aluminum | |
| | 5 | Trigger Guard Spring | 1 | Steel | |
| | 6 | Trigger Guard Pins | 2 | Steel | |
| | 7 | Trigger Guard Cap | 1 | Aluminum | |
| | 8 | Trigger Guard Cap Gasket | 1 | Aluminum | |
| | 9 | Trigger Guard Cap Gasket | 1 | Aluminum | |
| | 10 | Trigger Guard Cap Gasket | 1 | Aluminum | |
| | 11 | Trigger Guard Cap Gasket | 1 | Aluminum | |
| | 12 | Trigger Guard Cap Gasket | 1 | Aluminum | |
| | 13 | Trigger Guard Cap Gasket | 1 | Aluminum | |
| | 14 | Trigger Guard Cap Gasket | 1 | Aluminum | |
| | 15 | Trigger Guard Cap Gasket | 1 | Aluminum | |
| | 16 | Trigger Guard Cap Gasket | 1 | Aluminum | |
| | 17 | Trigger Guard Cap Gasket | 1 | Aluminum | |
| | 18 | Trigger Guard Cap Gasket | 1 | Aluminum | |
| | 19 | Trigger Guard Cap Gasket | 1 | Aluminum | |
| | 20 | Trigger Guard Cap Gasket | 1 | Aluminum | |
| | 21 | Trigger Guard Cap Gasket | 1 | Aluminum | |
| | 22 | Trigger Guard Cap Gasket | 1 | Aluminum | |
| | 23 | Trigger Guard Cap Gasket | 1 | Aluminum | |
| | 24 | Trigger Guard Cap Gasket | 1 | Aluminum | |
| | 25 | Trigger Guard Cap Gasket | 1 | Aluminum | |
| | 26 | Trigger Guard Cap Gasket | 1 | Aluminum | |
| | 27 | Trigger Guard Cap Gasket | 1 | Aluminum | |
| | 28 | Trigger Guard Cap Gasket | 1 | Aluminum | |
| | 29 | Trigger Guard Cap Gasket | 1 | Aluminum | |
| | 30 | Trigger Guard Cap Gasket | 1 | Aluminum | |
| | 31 | Trigger Guard Cap Gasket | 1 | Aluminum | |
| | 32 | Trigger Guard Cap Gasket | 1 | Aluminum | |
| | 33 | Trigger Guard Cap Gasket | 1 | Aluminum | |
| | 34 | Trigger Guard Cap Gasket | 1 | Aluminum | |
| | 35 | Trigger Guard Cap Gasket | 1 | Aluminum | |
| | 36 | Trigger Guard Cap Gasket | 1 | Aluminum | |

| Item | Part No. | Description | Number Per Tool | Item | Part No. | Description | Number Per tool |
|------|----------|---------------------|-----------------|------|----------|-------------------|-----------------|
| 1 | 8301M | Handle ZA12 | 1 | 19 | 8313 | Screw for above | 1 |
| 2 | 50034 | Valve in Handle | 1 | 20 | 8319 | Conn. Rod Guide | 1 |
| 3 | 8303 | Trigger & Catch | 1 | 21 | 8320 | Silencer Guard | 1 |
| | | | 1 | 22 | 8324 | Nosepiece | 1 |
| 5 | 9334A | Spring | 1 | 23 | 54160 | Screws—nosepiece | 2 |
| 6 | 51834 | Pins for trigger | 3 | 24 | 54034 | Screws | 2 |
| 7 | 8306 | Oil Plug & Seal | 1 | 25 | 53034 | Screws | 4 |
| 8 | 8307F | Filter | 1 | 26 | 8310 | Piston | 2 |
| 9 | 8308M | Valve Unit Complete | 1 | 27 | 8310LS | Piston Seal | 2 |
| 10 | 8307 | Gasket | 2 | 28 | 8312 | Ling to Pistons | 1 |
| 11 | 8309M | Body | 1 | 29 | 8318 | Connecting Rod | 1 |
| 12 | 8314 | Speed Regulator | 1 | 30 | 55516 | Blade Grip Screws | 2 |
| 13 | 5012 | 'O' Ring | 2 | 31 | 51114 | Pins to Piston | 2 |
| 14 | 5006 | 'O' Ring | 1 | 32 | 51114 | Pin to Conn Rod | 1 |
| 15 | 8315A | Spring | 1 | 33 | 0291 | 'O' Ring | 1 |
| 16 | 8315 | Clamp Securing Pin | 1 | 34 | 54134 | Screws—Handle | 6 |
| 17 | 8314C | Regulator retainer | 1 | 35 | 8316M | Front end Bracket | 1 |
| 18 | 55161 | Centre Shaft | 1 | 36 | 9332C | Détente Ball | 1 |